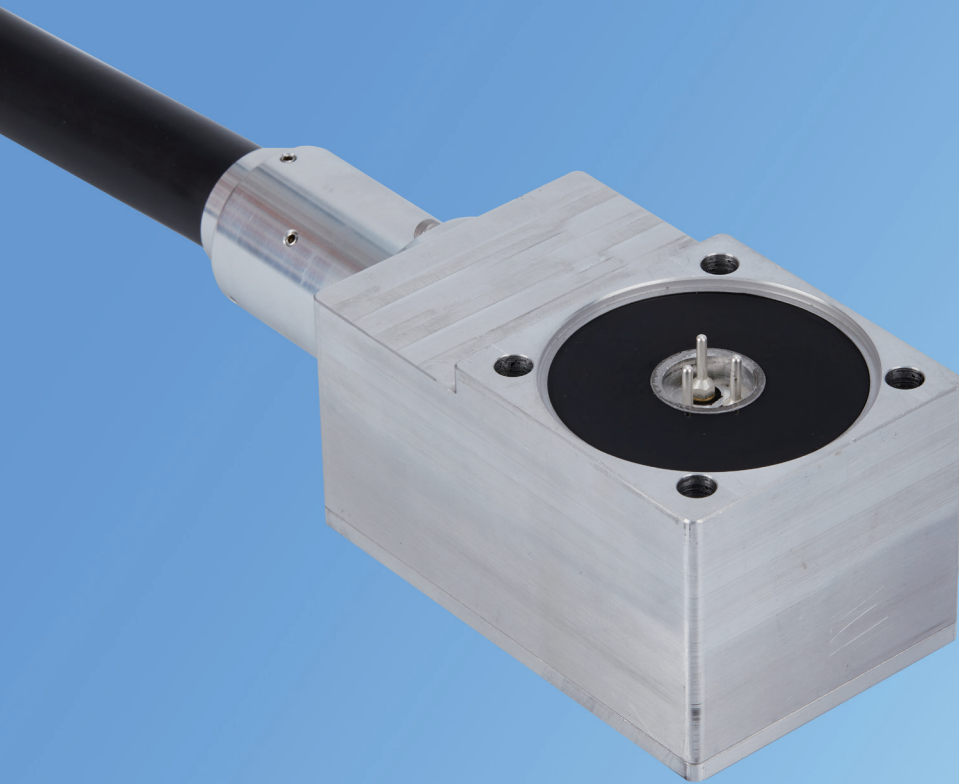


VERTEX-CT™ VC-C3-type Connector for up to 160kVDC



APPLICATION

VERTEX-CT™ VC-C3-type is designed specifically for Computed tomography equipment applications.

STANDARD

Enterprise standard for DC high-voltage cables for X-ray equipment.

FEATURE

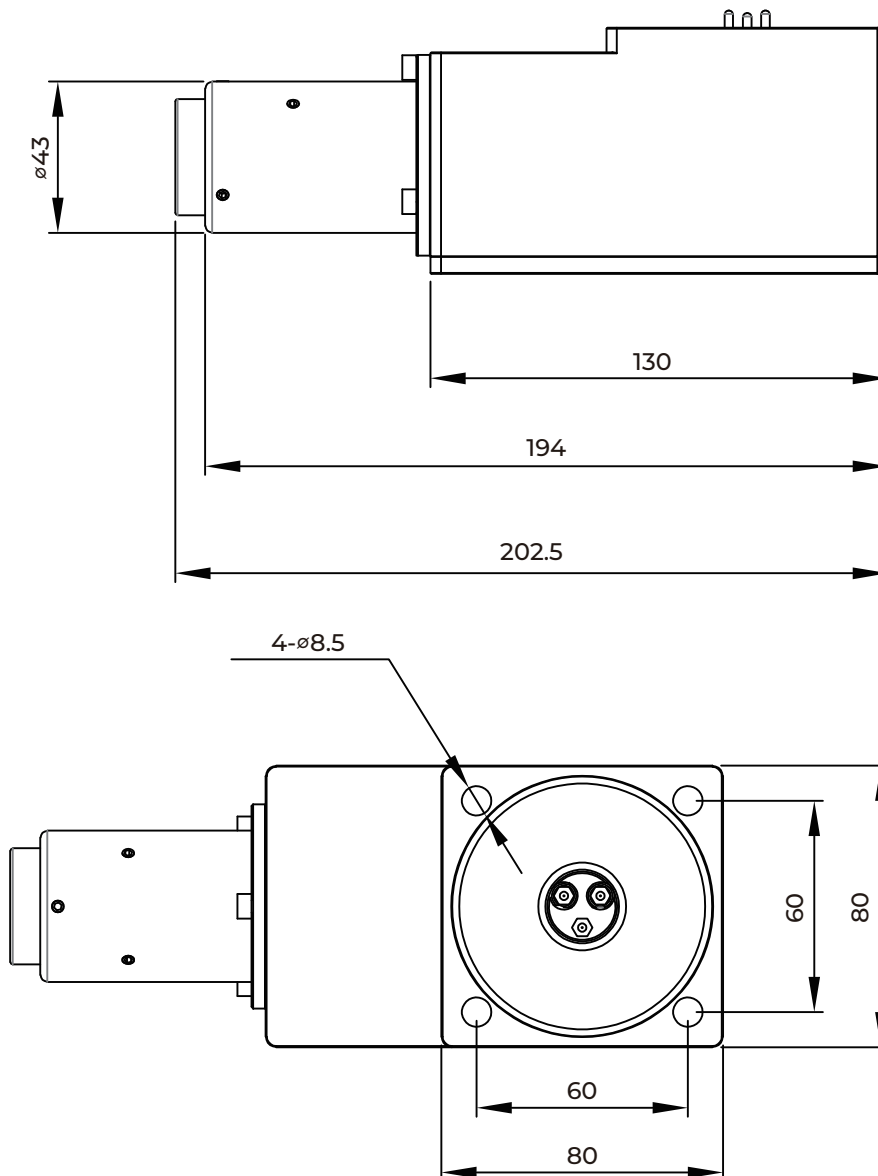
- The connector is straight.
- Select small diameter, high flexibility cable.
- High temperature plug.
- When assembling a plug and socket, a layer of silicone grease must be coated on the end face of the pin to avoid discharge along the connector surface.
- RoHS & REACH compliant.

MAIN TECHNICAL DATA

SPECIFICATION	REQUIREMENTS
Cores	3
Rated Voltage	160kVDC
Maximum continuous operating temperature	150 °C

DIAGRAM

VERTEX-CT™ VC-C3



The VERTEX-CT™ VC-C3 connector can be adapted to the following types of cables
VERTEX-N™ VTX-N1(160kVDC)



HIGH-PERFORMANCE CABLE SOLUTION

TWB-Germany GmbH

Add: Kolonnenstr.8, 10827 Berlin, Germany

E-mail: rolf.kaiser@twb-germany.com

Tel: +49 171 5544253

URL: www.twb-germany.com

The data in this document is for reference only. Contents in this document are subject to change without notice.