

## VERTEX-R™ VR-R2 Generator Receptacle for up to 75kVDC



### APPLICATION

The VERTEX-R™ VR-R2 is a medical high-voltage socket assembly for Radiographic X-ray applications.

### STANDARD

These assemblies comply with IEC60526 and NEMA XR-7 standards.

### FEATURE

• For VERTEX-R™ VR-R2 plugs.

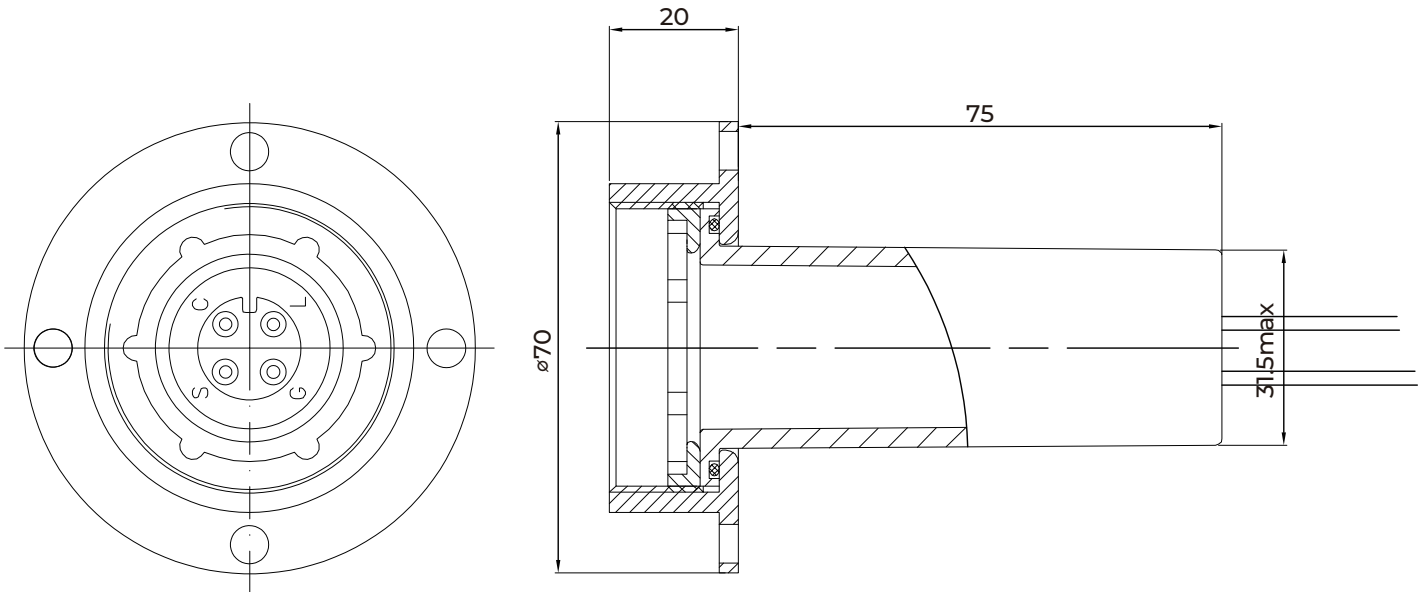
- Only half the size of a regular rated 75kVDC socket.
- Thermoplastic material with high flame retardant UL 94-5VA and high insulation resistivity.
- Optional brass thrust ring.
- Optional O - shaped rubber ring for oil seal.
- Optional nickel plated brass flange.
- Cathode receptacle - Four wires.
- Anode receptacle - Single or four wires all connected to each other.
- RoHS & REACH compliant.

## MAIN TECHNICAL DATA

SPECIFICATION	REQUIREMENTS
Rated voltage between pin and flange	75kVDC
Number of pins	4
Maximum continuous rated voltage between pins	4kVDC
Maximum continuous current (per pin)	15A
Insulation resistance between pin and flange	$>10^{15}\Omega$
Maximum continuous operating temperature	100 °C

## DIAGRAM

VERTEX-R™ VR-R2



HIGH-PERFORMANCE CABLE SOLUTION

TWB-Germany GmbH  
 Add: Kolonnenstr.8, 10827 Berlin, Germany  
 E-mail: rolf.kaiser@twb-germany.com

Tel: +49 171 5544253  
 URL: www.twb-germany.com

The data in this document is for reference only. Contents in this document are subject to change without notice.